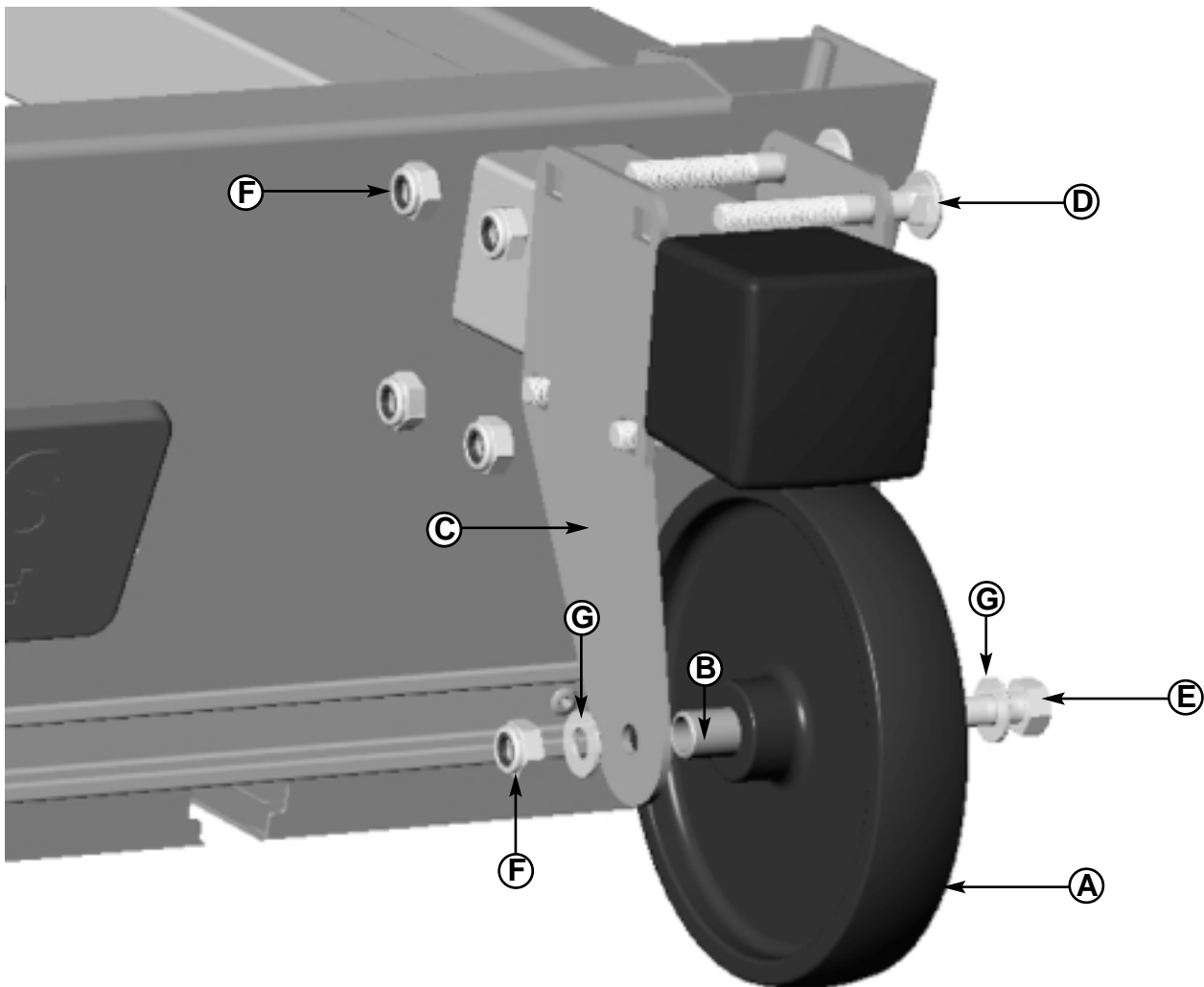


Compact Wheel Kit - AWA100

Suits Triton Compact Saw Tables



Diag. Ref.	Part No.	Description	Qty Supplied as Spare Part	Comments
-	PUA358	Packing Carton	1	
A	AWA012	Wheel (100mm x 20mm)	1	
B	AWA009	Steel Bush	1	
C	AWA019	Side Plate	1	
-	AWA020	Fastener Bag	1	
D	CSA228	M6 x 45mm Coach Bolt	8	} Available in Fastener Bag
E	CSA145	M6 x 45mm Hex Bolt	2	
F	CSA090	M6 Nylloc Nut	10	
G	CSA076	1/4 x 5/8 Washer	4	

Specifications:

Packed weight: 0.67kg

Packed Size: 220 x 120 x 45mm

Volume: 0.001m³

Wheel: Nylon six