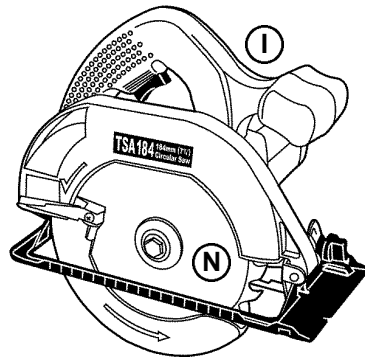
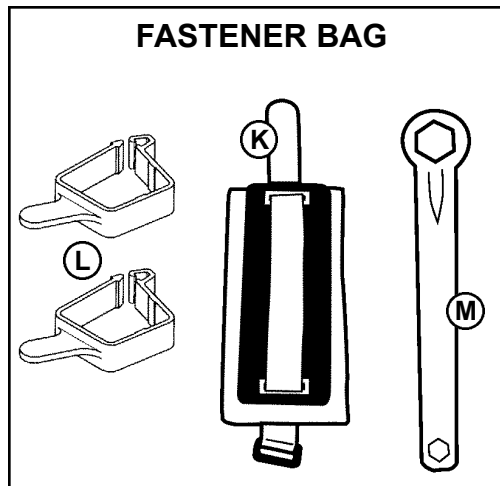
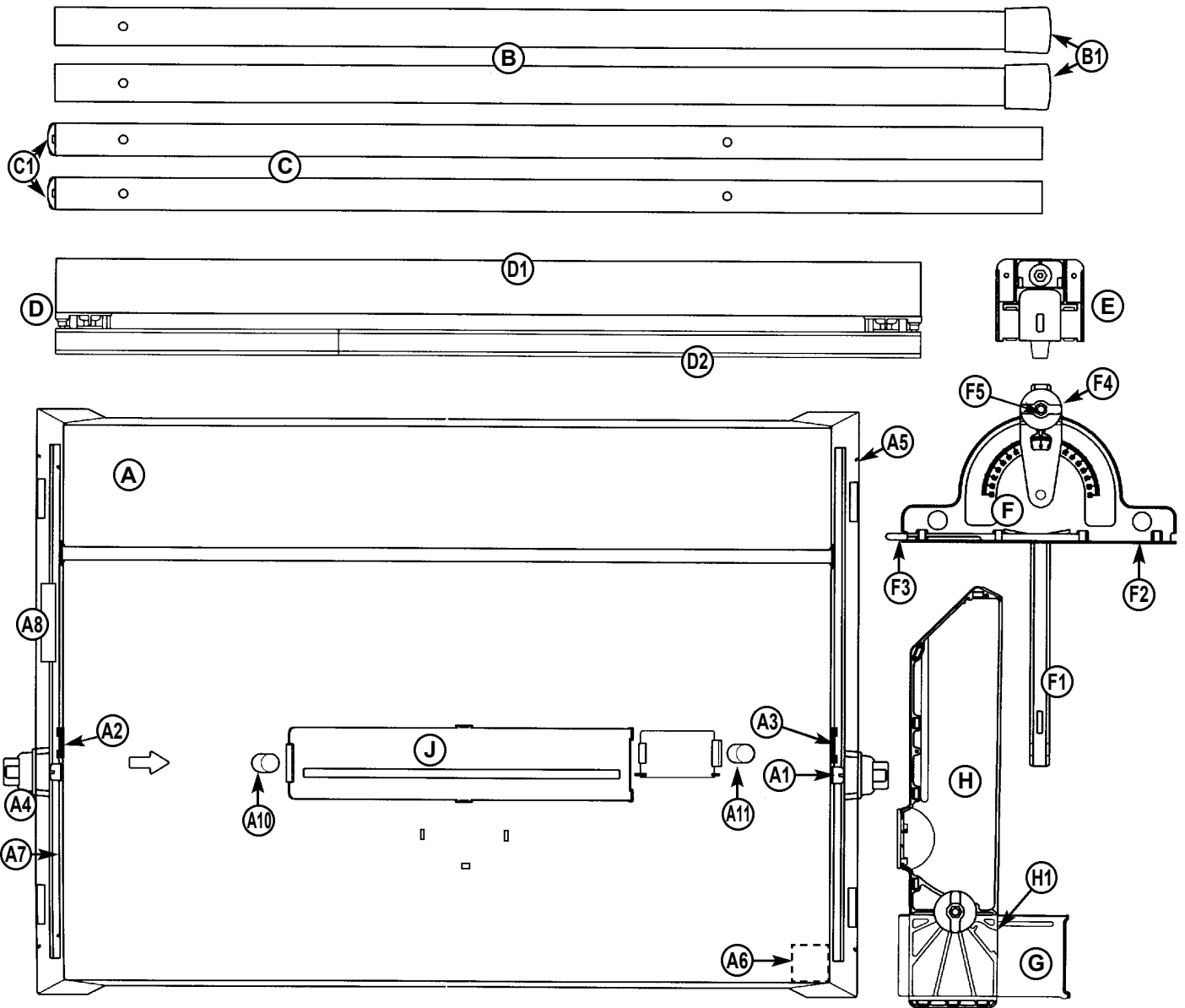
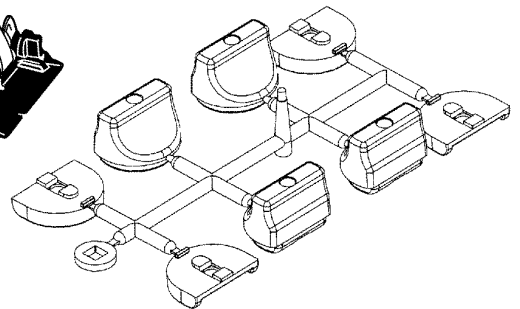


# Powered Saw Table - PTA001

Introduced October 2004



## CLAMP KNOB SET (A9)



# Powered Saw Table - PTA001

Introduced October 2004

Diag. Ref.	Part No.	Description	Qty Supplied as Spare Part	Comments
-	PUA624	Packing Carton	1	
-	PUA619	Instruction Manual	1	
A	CRA126	Main body	1	
A1	LRA269	Fence scale pointer - saw	1	
A2	CRC102	Fence scale pointer (front) - Router	1	
A3	CRC103	Fence scale pointer (rear) - Router	1	
A4	TCA105	Fence clamp / handle assembly	1	
A5	LRA244	Leg locking tab (not shown)	1	
A6	TCA106	Leg clamp assembly (not shown)	1	
A7	LRA218	Fence track	1	
A8	CMA065	Switchbox complete (includes stop plate & pin)	1	
A9	TCA103	Saw clamp set	1	
A10	LRA260	Insert latch	1	
A11	LRA240	Guard support latch	1	
B	LRA257	Leg - rear	1	
B1	LRA258	Rubber foot - rear legs	1	
C	LRA228	Leg - front	1	
C1	LRA210	Plastic foot - front legs	1	
D	TCA104	Rip fence (complete)	1	
D1	LRA226	Rip fence extrusion	1	
D2	LRA223	Rip fence arm	1	
E	LRA255	Captive push-stick	1	
F	LRA232	Protractor (complete)	1	
F1	LRA233	Protractor slider strip	1	
F2	LRA238	Protractor sandpaper facing	1	
F3	LRA247	Protractor side pressure finger	1	
F4	CMA040	Round knob with 6mm nut	1	
F5	CPA115	Protractor T-bolt	1	
G	LRA217	Overhead guard support	1	
H	WCA333	Overhead Guard (includes bolt & knob)	1	
H1	WCA192	Hold Down Fingers	1 pair	
I	SCA184	184mm Power Saw	1	
J	LRA239	Saw slot insert	1	
K	PTA007	Trigger strap with foam & cover	1	
L	LRA256	Storage hanger	1	
M	TSA184P	Saw spanner	1	
N	SBA120	Saw blade	1	
-	PTA003	Fastener bag (includes K, L, M)	1	
-	CMA024	Clamp knob set	1	

## Specifications:

**Packed weight:** 24.22kg

**Paint:** Epoxy powder coat (oven cured)

**Sheet Metal Parts:** 1.60mm Mild Steel

**Pack Size:** 940 x 590 x 215mm

**Main Body:** Telecom Gold

**Legs:** Charcoal Square Tube; Front - 30mm; Rear - 35mm

**Volume:** 0.119m<sup>3</sup>